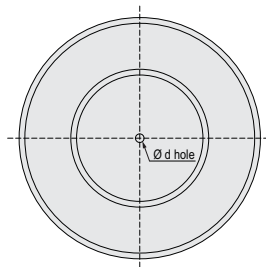
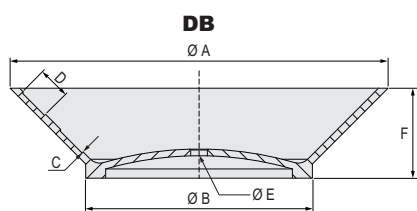


DB - Series Precision CNC Bowls



Order Code

D - B-20 - R

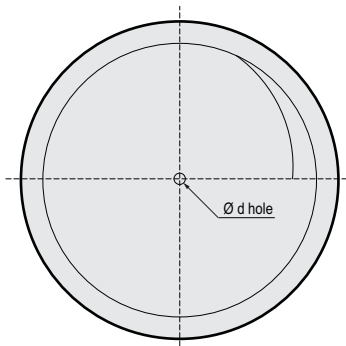
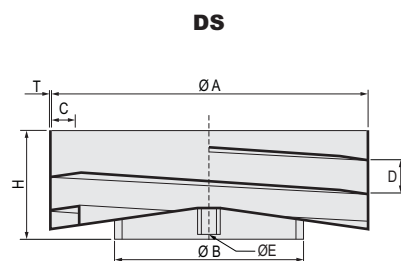
- Direction (R: clockwise L: Counterclockwise)
- Size (ØA)
- Model

Dimension

Model	ØA	ØB	C	D	ØE	F	Material
DB-15 ^R	150	95	1~2	6~12	Ø9.0	30	Stainless Steel
DB-18 ^R	180	110	1~3	6~15	Ø9.0	35	Stainless Steel
DB-20 ^R	200	132	1~3	6~15	Ø9.0	45	Stainless Steel
DB-22 ^R	220	132	1~4	6~15	Ø9.0	50	Stainless Steel
DB-25 ^R	250	140	1~4	6~18	Ø9.0	55	Stainless Steel
DB-30 ^R	300	150	1~4	6~20	Ø9.0	60	Stainless Steel

Unit mm

SB - Series Bowls



Order Code

S - B30 - R

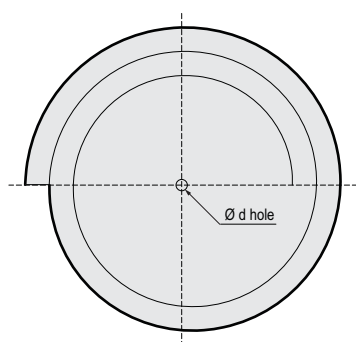
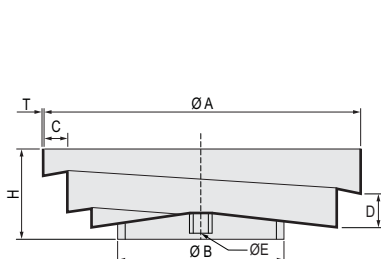
- Direction (R: clockwise L: Counterclockwise)
- Size (ØA)
- Model

Dimension

Model	ØA	ØB	C	D	H	ØE	T	Material
SB-20 ^R	200	120	18	24	85	Ø9.0	2	Stainless Steel
SB-25 ^R	250	160	20	30	100	Ø12	2	Stainless Steel
SB-30 ^R	300	180	25	36	125	Ø12	2	Stainless Steel
SB-35 ^R	350	210	30	45	150	Ø12	2	Stainless Steel
SB-40 ^R	400	240	35	51	175	Ø12	2	Stainless Steel
SB-45 ^R	450	270	40	56	190	Ø14	2	Stainless Steel
SB-50 ^R	500	297	45	66	220	Ø14	2	Stainless Steel

Unit mm

CB - Series Bowls



Order Code

C - B30 - R

- Direction (R: clockwise L: Counterclockwise)
- Size (ØA)
- Model

Dimension

Model	ØA	ØB	C	D	H	ØE	T	Material
CB-20 ^R	200	120	15	25	65	Ø9.0	2	Stainless Steel
CB-25 ^R	250	160	20	30	80	Ø12	2	Stainless Steel
CB-30 ^R	300	180	25	35	85	Ø12	2	Stainless Steel
CB-35 ^R	350	210	30	38	95	Ø12	2	Stainless Steel
CB-40 ^R	400	240	35	45	105	Ø12	2	Stainless Steel
CB-45 ^R	450	270	40	48	110	Ø14	2	Stainless Steel
CB-50 ^R	500	297	45	50	130	Ø14	2	Stainless Steel
CB-55 ^R	550	345	45	58	140	Ø18	2	Stainless Steel
CB-60 ^R	600	350	50	65	150	Ø18	3	Stainless Steel

Unit mm