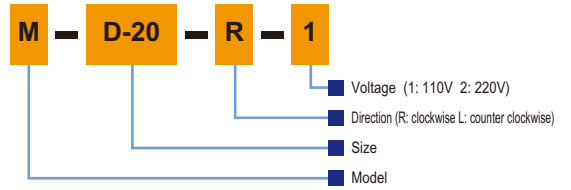


MD Series- Mini Parts Drive Units

Feature

For handling a wide range of micro-sized parts and electronics chips. Compact design and versatility to handle a wide range of small parts. with high vibration frequency of 150 to 250Hz and small amplitude, this series is ideal for very small parts (5 mm or less) smooth delivery.

Order Code

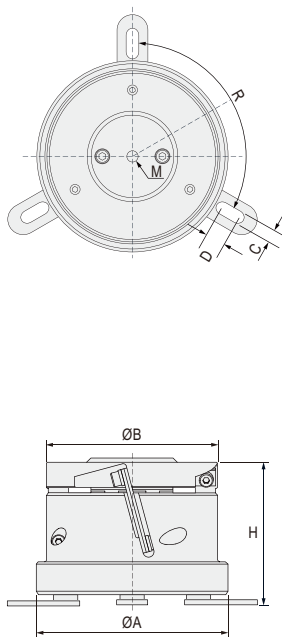


Dimension

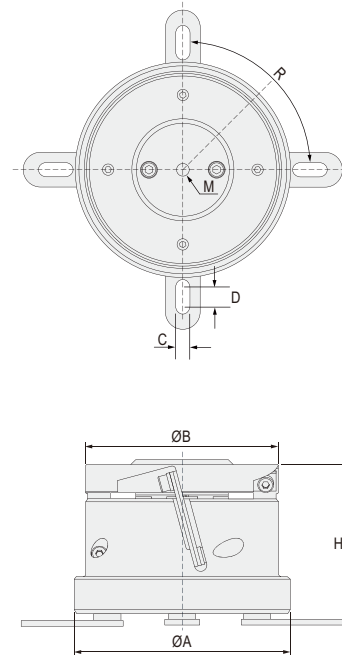
Model	H	ØA	ØB	C	D	M	R
MD-10	70	85	72	6	9	M6	53
MD-20	70	95	85	6	9	M6	63

Unit mm

MD-10



MD-20



Specifications

Specifications Model	Rated Voltage (V)	Rated Current (A)	Vibration Frequency (Hz)	Vibration Cycles/Min	Mass (kg)	Applicable Control Unit	Applicable Bowl
MD-10 [Ⓡ] ① ②	AC110/220	0.6/0.3	150/250	9000~15000	3.0	EC30-1DF/EC30-1SDF	Ø 80~100mm
MD-20 [Ⓡ] ① ②	AC110/220	0.6/0.3	150/250	9000~15000	3.8	EC30-1DF/EC30-1SDF	Ø 90~130mm