

DK Series-50~100Hz Drive Units

Feature

with low vibration frequencies of 50/60 Hz and a large amplitude, this series is ideal for large and heavy workpieces (10 mm up in size) smooth delivery.

Order Code

D - K-35 - R - 1

- Voltage (1: 110V 2: 220V)
- Direction (R: clockwise L: counter clockwise)
- Size
- Model

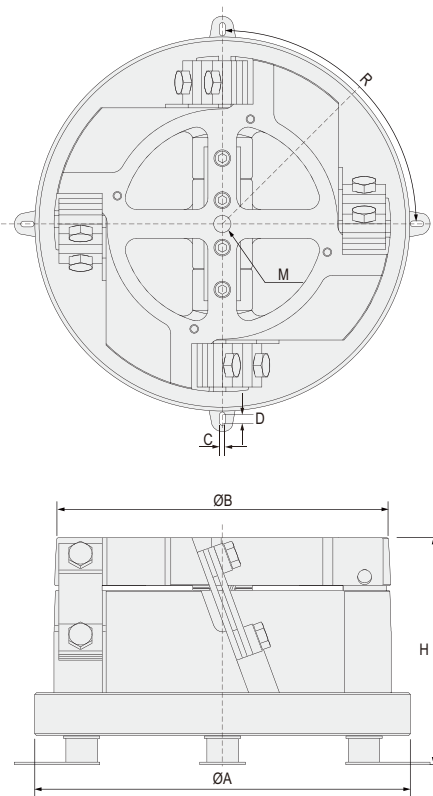


Dimension

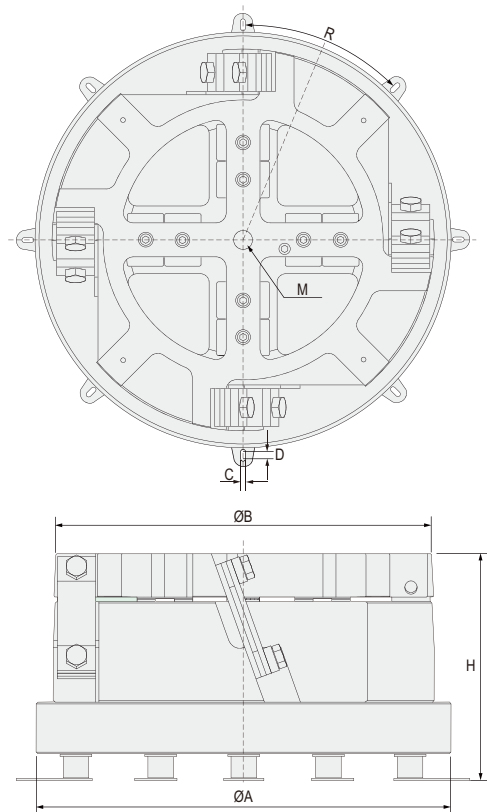
Model	H	ØA	ØB	C	D	M	R
DK-35	236	390	350	6	9	M16	203
DK-45	261	490	450	6	9	M16	256

Unit mm

DK-35



DK-45



Specifications

Specifications Model	Rated Voltage (V)	Rated Current (A)	Vibration Frequency (Hz)	Vibration Cycles/Min	Mass (kg)	Applicable Control Unit	Applicable Bowl
DK-35 ^R ②	AC220	5	50/60	3000~3600	0	VC30-5,8DF/VC30-5,8SDF	Ø 500~650mm
DK-45 ^R ②	AC220	8	50/60	3000~3600	0	VC30-5,8DF/VC30-5,8SDF	Ø 650~800mm